

特殊泵订制

CUSTOMISED PUMPS



RICKMEIER为客户每种可能的接口和安装情况（附件泵、筒插装泵等）提供定制化解决方案，提供各种管道连接（DIN标、SAE标准或特殊设计标准），不限数量和批量。简单的减压阀或先导式外部压力控制阀甚至可以集成在最大的泵中。

通过与国内和国际客户的紧密合作，从最初的设计到原型，再到批量生产，RICKMEIER的工程师和技术人员开发出的内齿轮泵和外齿轮泵流量范围可达到每转 $1\sim 3000\text{cm}^3$ ，即流量最高可达 $5000\text{L}/\text{min}$ 。

通过优化流量的设计和创新的齿形几何结构，可实现各个工作点的最低噪声水平和最高效率。

特殊泵的选择如下所示。

RICKMEIER realises customised solutions for every conceivable customer interface and installation situation (attachment pumps, cartridge pumps etc.) with various pipe connections (DIN, SAE and special designs), even in small quantities and batch sizes. And simple pressure relief valves or pilot-operated, external pressure control valves can be integrated even in the largest pumps.

In close collaboration with national and international customers, from the initial design to the prototype and right through to series production, RICKMEIER engineers and technicians develop external and internal gear pumps with flow rates ranging from 1 to 3000 cm^3 per revolution, i.e. flow rates of up to 5000 l/min.

Flow-optimised casing design and innovative gearing geometries allow the realisation of extremely low noise levels and maximum efficiency for the individual operating point.

A selection of customised pumps is shown below.

特殊泵订制

CUSTOMISED PUMPS



内齿啮合内置泵 (示例R1,5/7,1)

特点: 直接安装在变速箱上

应用: 车辆变速器供油

Built-in pump with internal gearing (Example R1,5/7,1)

Distinctive feature: Direct installation in gearbox

Application: Oil supply vehicle transmission

带集成压力控制阀的燃油泵 (示例R49/16)

特点: 直接安装在柴油机上, 低速时容积效率高

应用: 共轨高压泵的燃料预给料

Fuel pump with integrated pressure control valve (Example R49/16)

Distinctive feature: Direct mounting on the diesel engine, high volumetric efficiency at low speed

Application: Fuel pre-feed for common rail high-pressure pump



带内齿轮的燃油泵 (示例 R4,0/16)

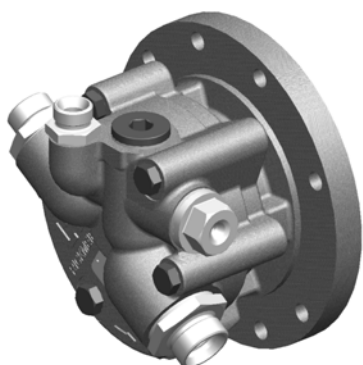
特点: 直接连接高压泵, 低速时容积效率高, 集成压力控制阀, 可选外部控制

应用: 共轨高压泵的燃料预给料

Fuel pump with internal gearing(Example R4,0/16)

Distinctive feature: Direct attachment to high-pressure pump, high volumetric efficiency at low speed, integrated pressure control valve with optional external control

Application: Fuel pre-feed for common rail high-pressure pump



特殊泵订制

CUSTOMISED PUMPS

带内齿轮的插入式泵 (示例R4/48)

特点: 直接安装在变速箱上

应用: 为变矩齿轮箱供油

Plug-in Pump with internal gearing (example R4/48)

Distinctive feature: Direct mounting on the gearbox

Application: Oil supply to torque converter gearbox



带驱动齿轮的润滑油泵 (示例R59/84)

特点: 用于油底壳安装, 带集成管路的安装, 带花键的附加输出。

应用: 柴油机供油

Lubricating oil pump with drive pinion (example R59/84)

Distinctive feature: For installation in oil sump, pump mounting with integrated channel, additional output with splined shaft profile

Application: Oil supply diesel engine

带插入式管道连接的润滑油泵 (示例R59 / 340)

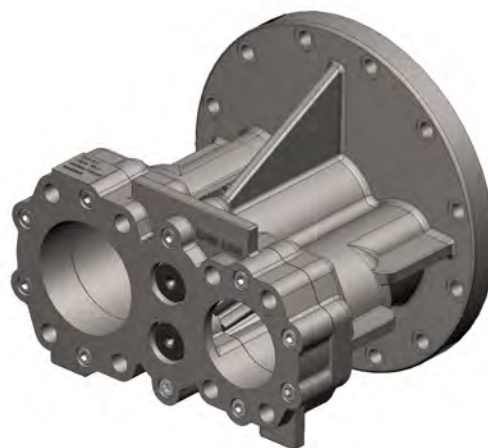
特点: 直接安装在柴油发动机机壳上

应用: 柴油机供油

Lubricating oil pump with plug-in pipe connections (example R59/340)

Distinctive feature: Direct mounting on diesel engine housing

Application: Oil supply diesel engine



特殊泵订制

CUSTOMISED PUMPS



带驱动齿轮的润滑油泵 (示例R49 / 338)

特点: 用于油底壳安装, 带集成管路的安装

应用: 燃气发动机供油

Lubricating oil pump with drive pinion (example R49/338)

Distinctive feature: For installation in oil sump, pump mounting with integrated channel

Application: Oil supply gas engine

带驱动齿轮的润滑油泵 (示例R79 / 520)

特点: 用于安装在油底壳中, 集成安全阀

应用: 柴油机供油

Lubricating oil pump with drive pinion (example R79/520)

Distinctive feature: For installation in oil sump, integrated pressure relief valve

Application: Oil supply diesel engine



带驱动齿轮的润滑油泵 (示例R99 / 800)

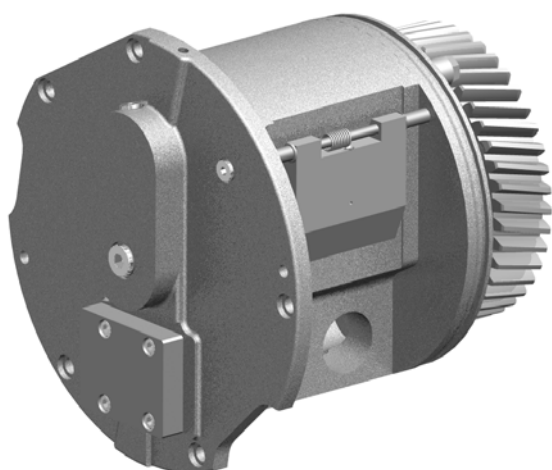
特点: 插入式泵, 用于安装在发动机壳体中, 带集成泄压阀, 带集成止回阀。

应用: 柴油机供油

Lubricating oil pump with drive pinion (example R99/800)

Distinctive feature: plug-in pump for installation in motor housing, with integrated pressure relief valve, with integrated non-return valve

Application: Oil supply diesel engine



特殊泵订制

CUSTOMISED PUMPS

双联润滑油泵 (示例 R93 / 1720)

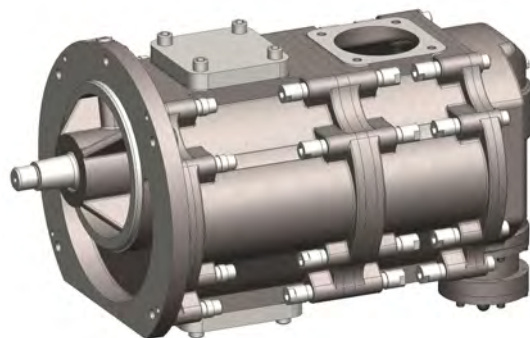
特点: 直接安装在齿轮箱上, 集成了瓣阀, 可在旋转方向改变的情况下保持恒定的流动方向。

用途: 涡轮/压缩机齿轮箱供油

Lubricating oil pump with two pump stages [example R93/1720]

Distinctive feature: Direct mounting on the gear housing, with integrated flap valves for constant flow direction with changing direction of rotation

Application: Oil supply Turbine/compressor gearbox



带驱动齿轮的润滑油泵 (示例R109 / 2240)

特点: 直接安装在发动机壳体上, 带先导式压力控制阀和外部控制装置

应用: 柴油机供油

Lubricating oil pump with drive pinion [example R109/2240]

Distinctive feature: Direct mounting on motor housing, with pilot operated pressure control valve with external control

Application: Oil supply diesel engine



带DIN法兰的润滑油泵 (示例R109 / 2360)

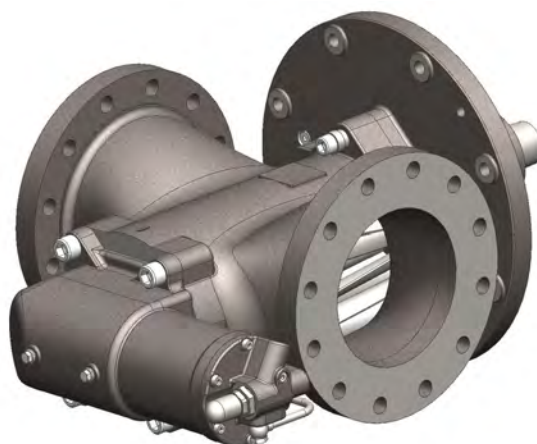
特点: 直接安装在发动机壳体上, 带先导式压力控制阀和外部控制装置

应用: 柴油机供油

Lubricating oil pump with DIN flanges [example R109/2360]

Distinctive feature: Direct mounting on motor housing, with pilot operated pressure control valve with external control

Application: Oil supply diesel engine



RICKMEIER: 可靠成就卓越!

RICKMEIER: RELIABILITY MAKES US STRONG!

RICKMEIER GmbH • Langenholthausener Str. 20-22 • D-58802 Balve • Fon: +49 2375 927-0 • Fax: +49 2375 927-26 • E-Mail: kontakt@rickmeier.de • www.rickmeier.de

RICKMEIER[®]
PUMPENTECHNOLOGIE